

# Fashion Bed Group

A Division of Leggett & Platt Incorporated

## Parts List For Saigon Daybed

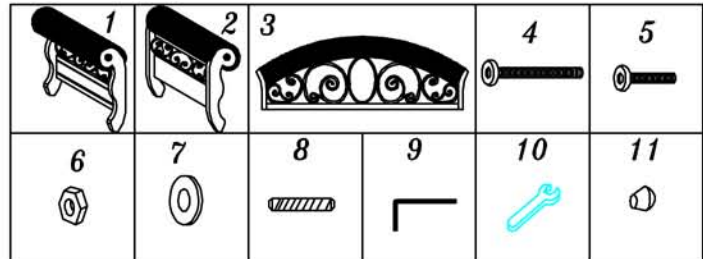
### DAYBED CARTON

#### DAYBED PARTS:

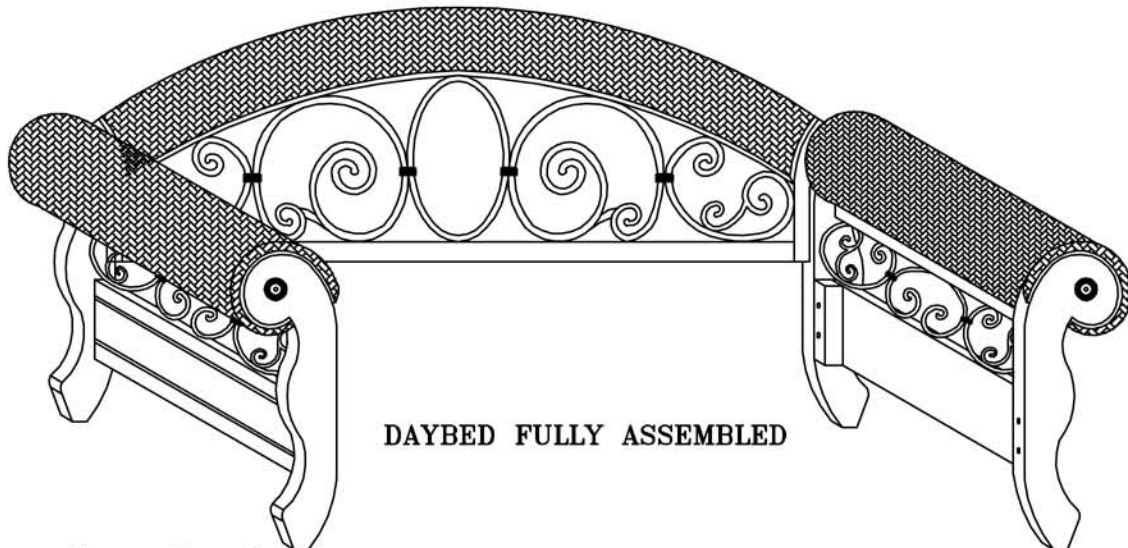
- (1) LEFT SIDE-1
- (2) RIGHT SIDE-1
- (3) BACK PANEL-1

#### PART #319201 HARDWARE BAG FOR DAYBED SIDES

- (4) 6mm X 70mm FLAT ALLEN HEAD SCREW-8
- (5) 6mm X 30mm FLAT ALLEN HEAD SCREW-4
- (6) 6mm HEX NUT-4
- (7) 3/4" OD METAL WASHER-8
- (8) WOOD DOWELS 1 3/16" X 3/8" DIA.-4
- (9) ALLEN WRENCH
- (10) HEX WRENCH
- (11) WOOD PLUG (8)



SAVE ALL PACKAGING MATERIALS UNTIL PRODUCT IS FULLY ASSEMBLED. HARDWARE AND SMALL PIECES MAY NOT BE SEEN AND BE ACCIDENTALLY DISCARDED WITH PACKAGING MATERIALS.



DAYBED FULLY ASSEMBLED

### NOTES:

- For ease of assembly you will need a helper.
- Do not tighten all screws until the mattress support system and the back panel of the daybed have been assembled to the side arms.
- After assembly of the mattress support system and the back panel to the sides tighten all connections securely
- Periodically you may retighten all screws.

#### Step 1

- Insert wood dowels (8) into right side (2) center holes of the back post. (See Figures 1 & 2)
- Align back panel (3) side holes to holes in right side (2) back post. (See Figure 2)
- Secure grill to post with screws (4) using the Allen wrench (9). DO NOT TIGHTEN SCREWS COMPLETELY.
- Repeat same step for assembly of left side (1) back post to back panel. (See Figure 1 & 2)

#### Step 2

- Bolt one end bracket of the mattress support system to one daybed side post.
- For each front post use 2 screws (4), 2 washers (7) and 2 hex nuts (6). Loosely tighten (See Figure 3)
- For each back post use 2 screws (5) and 2 washers (7). (See Figure 4)
- Tighten screws with Allen wrench (9) and open wrench (10).
- Push in wood plugs (11) into left and right sides holes. (See Figure 1 & 3)
- You are now ready for mattress installation.

FIGURE 2

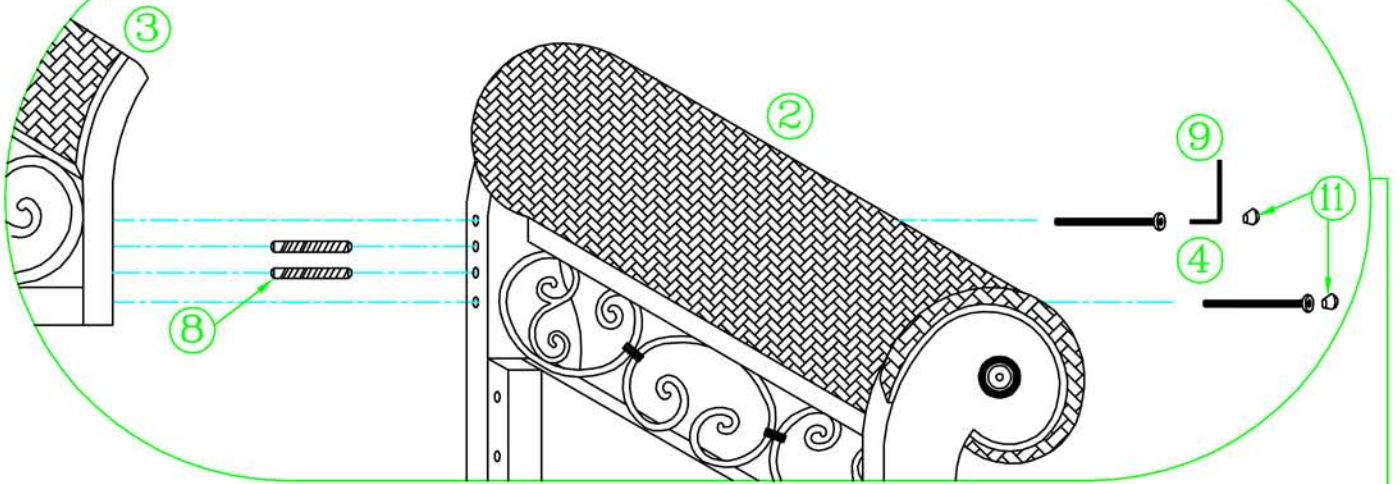


FIGURE 1

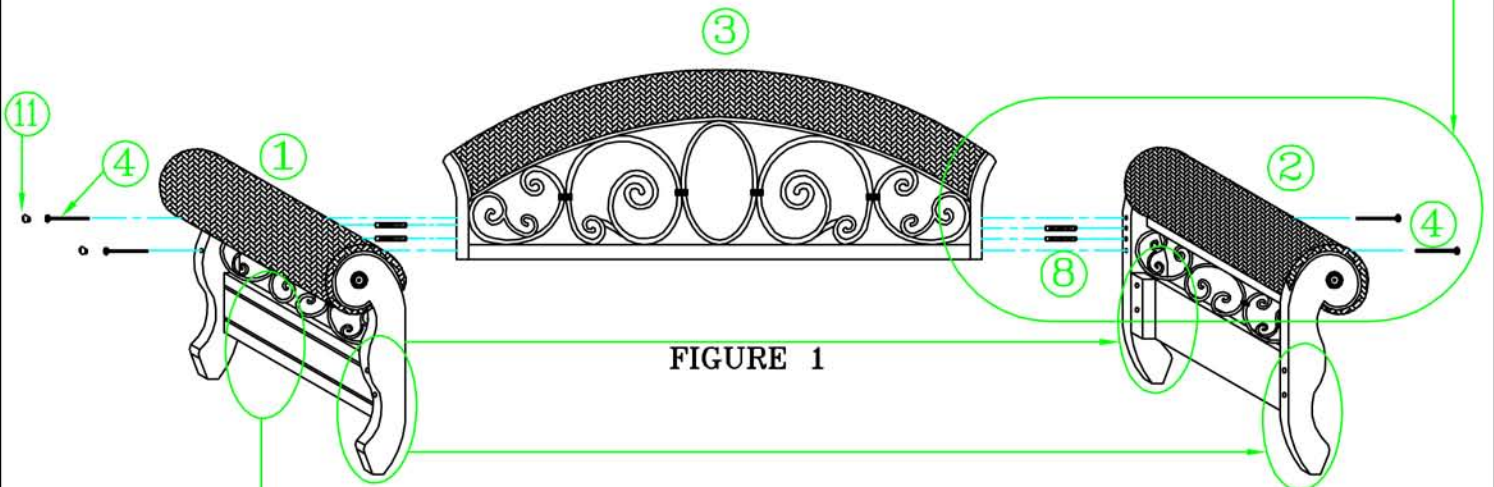


FIGURE 4

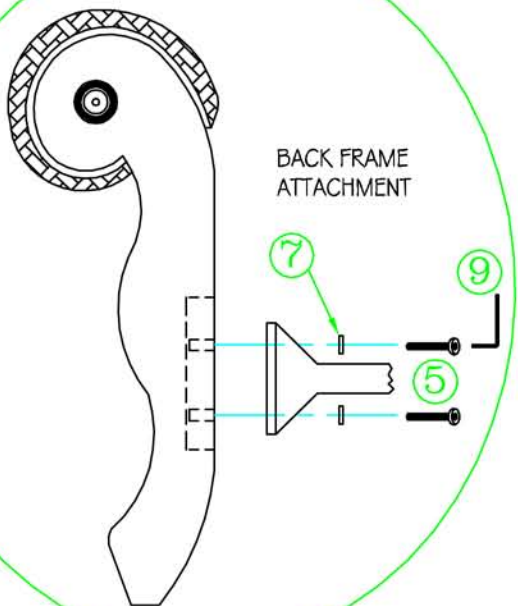


FIGURE 3

