

Fashion Bed Group

A Division of Leggett & Platt Incorporated

Miami Daybed Parts List

PART #363301 HARDWARE BAG FOR DAYBED

- (1) 1/4-20 2 3/16" ALLEN HEAD SCREW-6
- (2) 1/4-20 3/4" ALLEN HEAD SCREW-8
- (3) 3/4" OD METAL WASHER-14
- (4) ALLEN WRENCH-1
- (13) 1 1/8" S.Q. PLASTIC GLIDE-4 # 362102

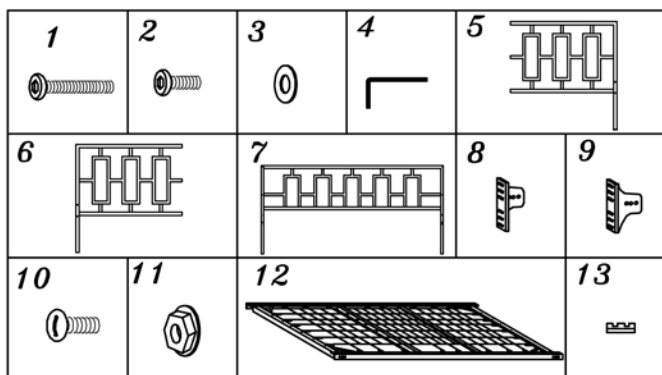
Note: GLIDES COME PRE-INSERTED

DAYBED PARTS:

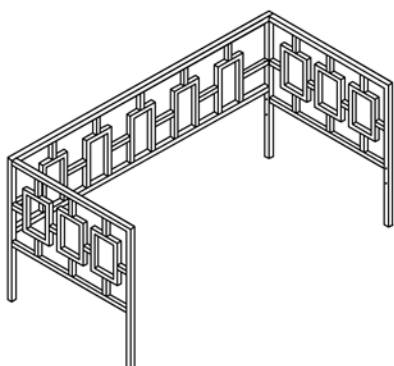
- (5) RIGHT SIDE-1
- (6) LEFT SIDE-1
- (7) BACK PANEL-1

LINK SPRING PARTS:

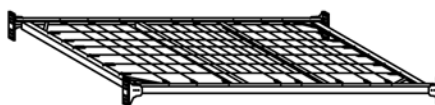
- (8) LEFT BRACKET-2
- (9) RIGHT BRACKET-2
- (10) 5/16-18 SCREW-4
- (11) 5/16-18 HEX NUT-4
- (12) SUPPORT DECK-1



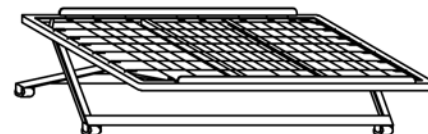
SAVE ALL PACKAGING MATERIALS UNTIL PRODUCT IS FULLY ASSEMBLED. HARDWARE AND SMALL PIECES MAY NOT BE SEEN AND BE ACCIDENTALLY DISCARDED WITH PACKAGING MATERIALS.



MATTRESS LINK SPRING FULLY ASSEMBLED



OPTIONAL



POP-UP TRUNDLE

DAYBED FULLY ASSEMBLED

Instruction Sheet

NOTE: For ease of assembly you will need a helper.
 • Periodically retighten all screws.

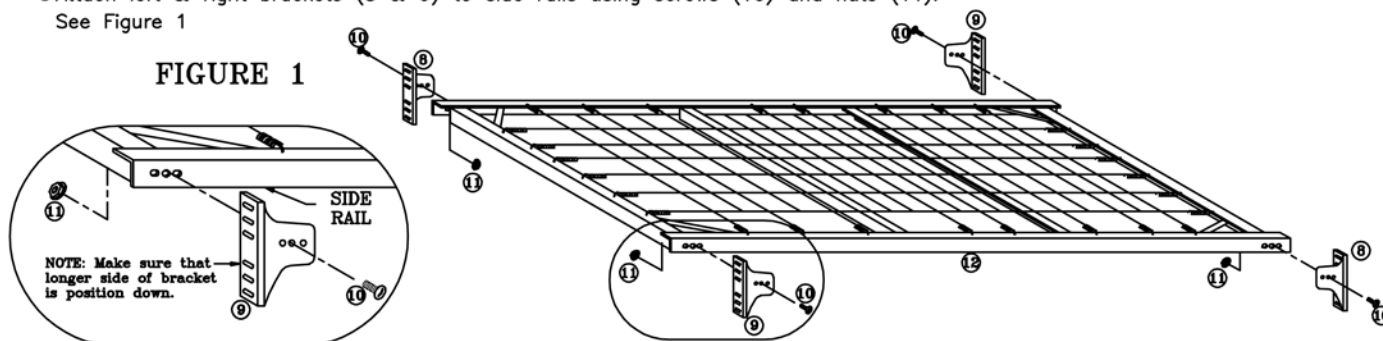
Step 1- Locate Hardware bags for Daybed & Link Spring Assembly

- Hardware bag for Daybed assembly is located inside the daybed carton box.
- Link spring hardware bag is located below the link spring cross bar.

Step 2- Link Spring Assembly

- Attach left & right brackets (8 & 9) to side rails using screws (10) and nuts (11).
 See Figure 1

FIGURE 1



Instruction Sheet

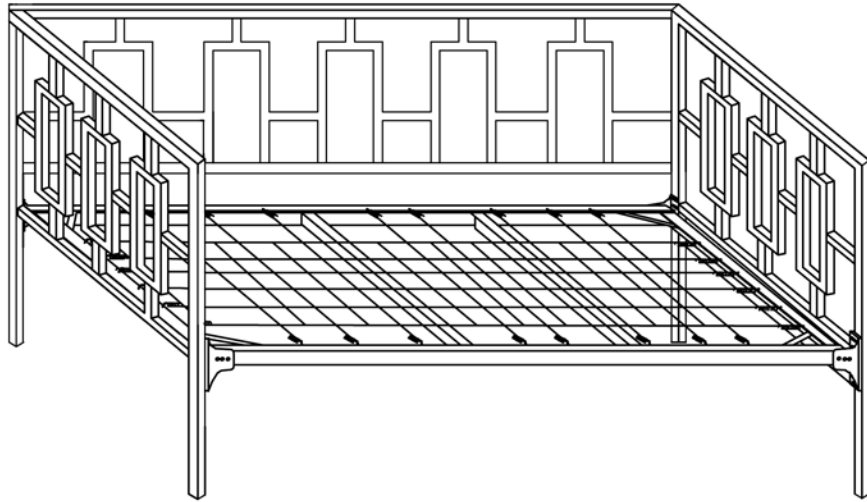
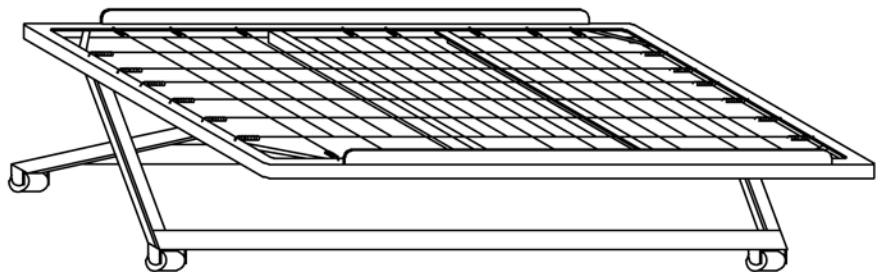


FIGURE 4



OPTIONAL