

Fashion Bed Group

A Division of Leggett & Platt Incorporated

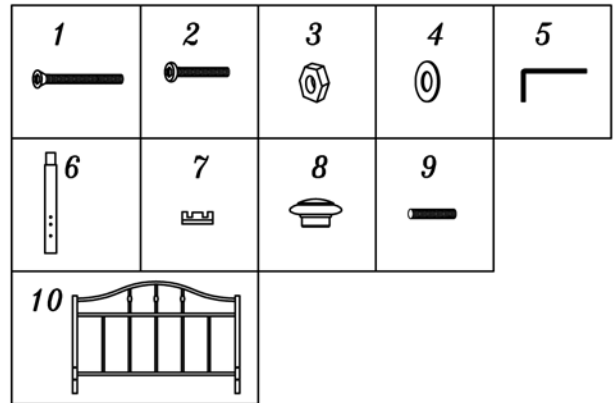
Spalding Duo Parts List

CARTON

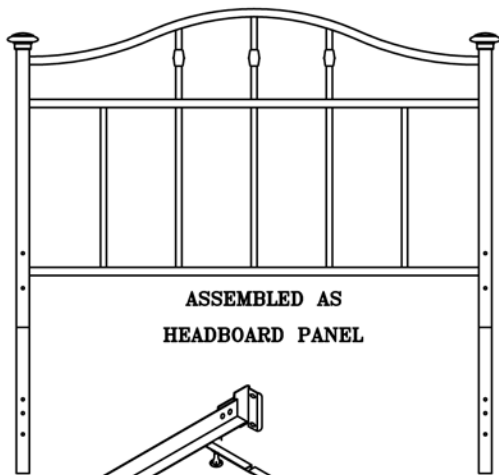
(10) PANEL

PART #357901 HARDWARE BAG FOR ATTACHMENT TO FRAME

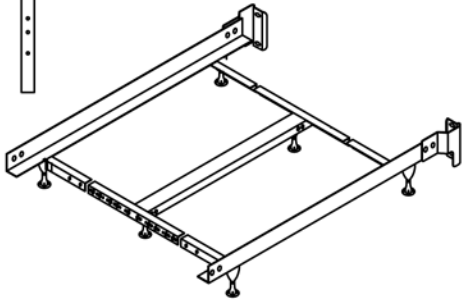
- (1) 1/4-20 1 7/8" COUNTERSUNK ALLEN HEAD SCREW-4
- (2) 1/4-20 1" FLAT ALLEN HEAD SCREW-4
- (3) 1/4-20 HEX NUT-4
- (4) 5/8" OD FLAT WASHER-4
- (5) ALLEN WRENCH
- (6) LEG EXTENSION-2
- (7) PLASTIC GLIDE-2
- (8) FINIAL-2
- (9) 1/4-20 THREADED ROD-2



PRODUCT FULLY ASSEMBLED

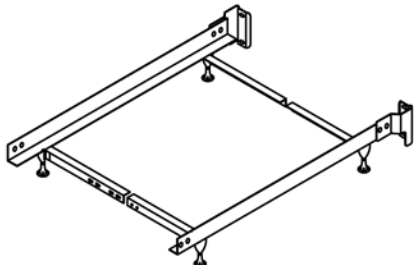


ASSEMBLED AS
HEADBOARD PANEL



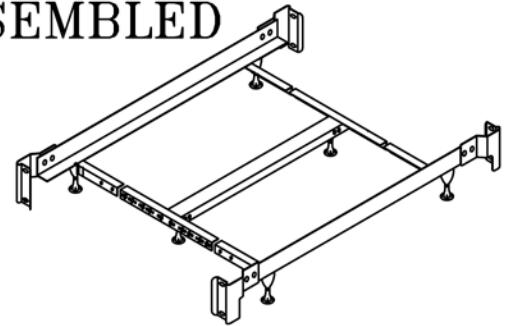
QUEEN - KING HEADBOARD ONLY FRAME FULLY ASSEMBLED

NOTE: SEE INSTRUCTIONS INCLUDED IN FRAME CARTON FOR FRAME ASSEMBLY



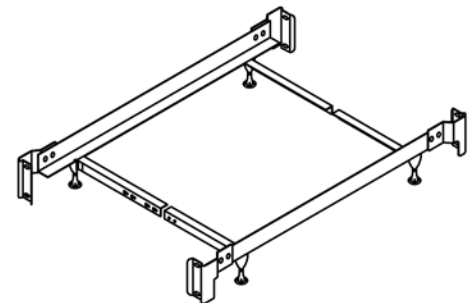
TWIN - FULL HEADBOARD ONLY FRAME FULLY ASSEMBLED

NOTE: SEE INSTRUCTIONS INCLUDED IN FRAME CARTON FOR FRAME ASSEMBLY



QUEEN - KING BED FRAME FULLY ASSEMBLED

NOTE: SEE INSTRUCTIONS INCLUDED IN FRAME CARTON FOR FRAME ASSEMBLY



TWIN - FULL BED FRAME FULLY ASSEMBLED

NOTE: SEE INSTRUCTIONS INCLUDED IN FRAME CARTON FOR FRAME ASSEMBLY

Instruction Sheet

SAVE ALL PACKAGING MATERIALS UNTIL PRODUCT IS FULLY ASSEMBLED. HARDWARE AND SMALL PIECES MAY NOT BE SEEN AND BE ACCIDENTALLY DISCARDED WITH PACKAGING MATERIALS.

FIGURE 1

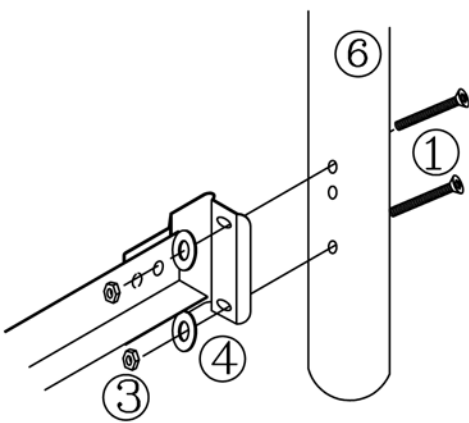
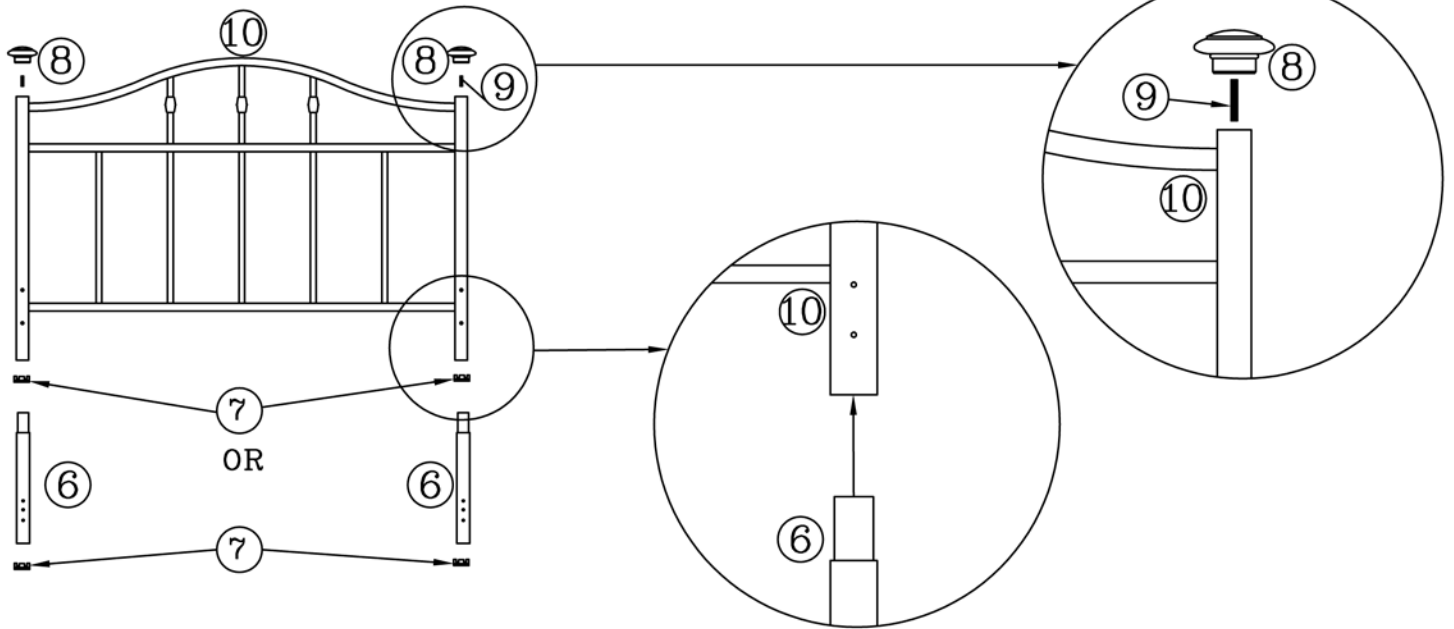


FIGURE 2

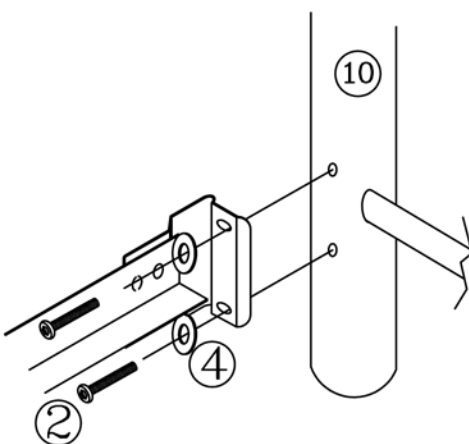


FIGURE 3

NOTE: This product can be used as Headboard only or as Headboard/Footboard bed. Insert plastic glide (7) into leg extension (6) for headboard assembly. For footboard assembly insert plastic glide (7) into bottom of panel (10) posts. See Figure 1

Step 1 Headboard assembly

- Align top reduction of extension legs (6) with bottom of panel posts. (See Figure 1) Make sure the 3 holes on extension legs are perpendicular to headboard panel.
- Now carefully insert extension legs (6) into bottom of panel (10) posts.
- Screw rods (9) into bottom of finials (8) then screw in finials onto top of panel (10) posts. (See Figure 1)

Step 2

- Place headboard and frame in desired location in room.
- Place 2 screws (1) through holes located in leg (6). (See Figure 2)
- Align bed frame bracket over screws.
- Place a flat washer (4) first and then a nut (3) on each screw. Hand-tighten, DO NOT TIGHTEN screws all the way.
- Repeat on other side of headboard.
- Tighten all screws securely using the Allen wrench.

Step 3 Footboard Assembly

- Discard Leg extension (6) for footboard attachment to frame.
- Position footboard panel and align holes in the panel (10) post with holes in the frame bracket. See figure 3
- Place flat washer (4) on each screw (2). Insert through bracket and into post. Hand-tighten, DO NOT TIGHTEN screws all the way.
- Repeat on other side of footboard panel.
- Tighten all screws securely using the Allen wrench.