

Fashion Bed Group

A Division of Leggett & Platt Incorporated

Part List For Murray Platform

PARTS ENCLOSE:

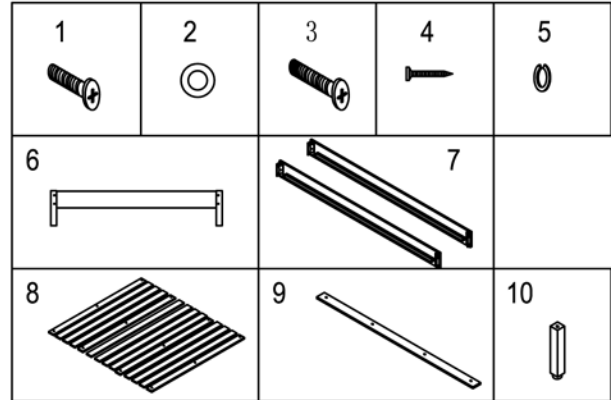
- (6) PANEL-2
- (7) SIDE RAILS-2
- (8) SLAT SYSTEM-1
- (9) CENTER SUPPORT RAIL-1
- (10) SUPPORT LEG-2

PART #357505 HARDWARE BAG FOR BED

- (1) 6mm X 20mm PHILLIPS HEAD SCREW-8
- (2) 18mm OD METAL WASHER-14
- (3) 6mm X 35mm PHILLIPS HEAD SCREW-6
- (4) 32mm FLAT PHILLIPS COUNTERSUNK HEAD WOOD SCREW-8
- (5) 6mm ID LOCK WASHER-8

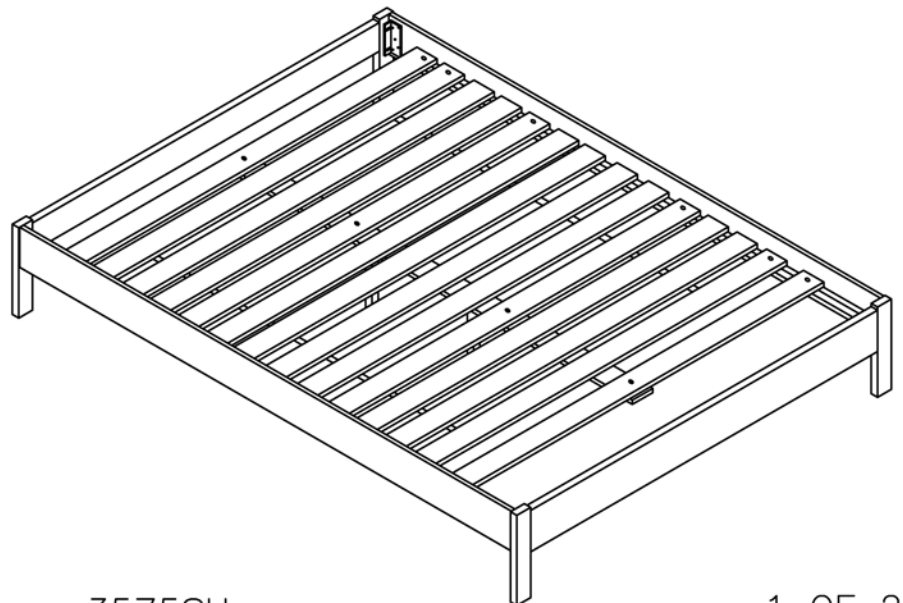
TOOLS REQUIRED

- * PHILIPS SCREW DRIVER (NOT INCLUDED)



SAVE ALL PACKAGING MATERIALS UNTIL PRODUCT IS FULLY ASSEMBLED. HARDWARE AND SMALL PIECES MAY NOT BE SEEN AND BE ACCIDENTALLY DISCARDED WITH PACKAGING MATERIALS.

- Step 1**
- Place panel (6) and side rails (7) in desire location in the room.
 - Secure side rails to headboard posts with screw (1) and washers (2 & 5). (See Figure 1)
 - Do Not Tighten all screws all the way.
 - Do the same for the other panel (6) attachment.
- Step 2**
- Place slat system (8) between side rails (7). (See Figure 5)
 - Secure center rail (9) to center holes in slat system (8). (See Figure 5 & 2)
 - Use screws (3) to secure each location. Tighten all screws
- Step 3**
- Secure support legs (10) to center rail (9) with screws (3). (See Figure 3 & 5) Tighten all screws
- Step 4**
- Secure both ends of slat system (8) to the side rails (7) with screw (4). (See Figure 4) Tighten all screws



Instruction Sheet

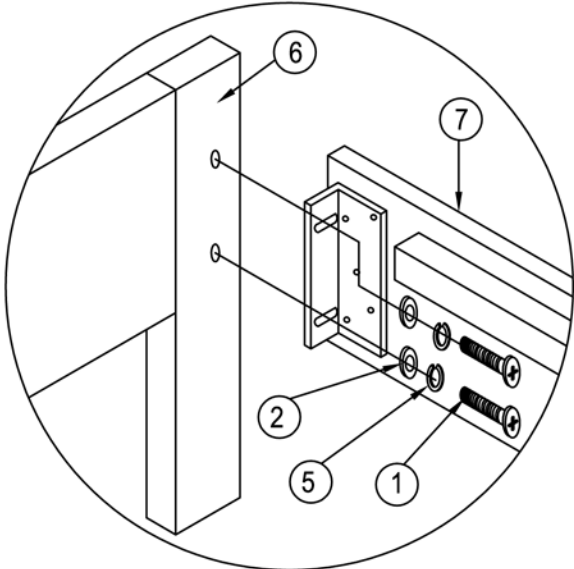


FIGURE 1

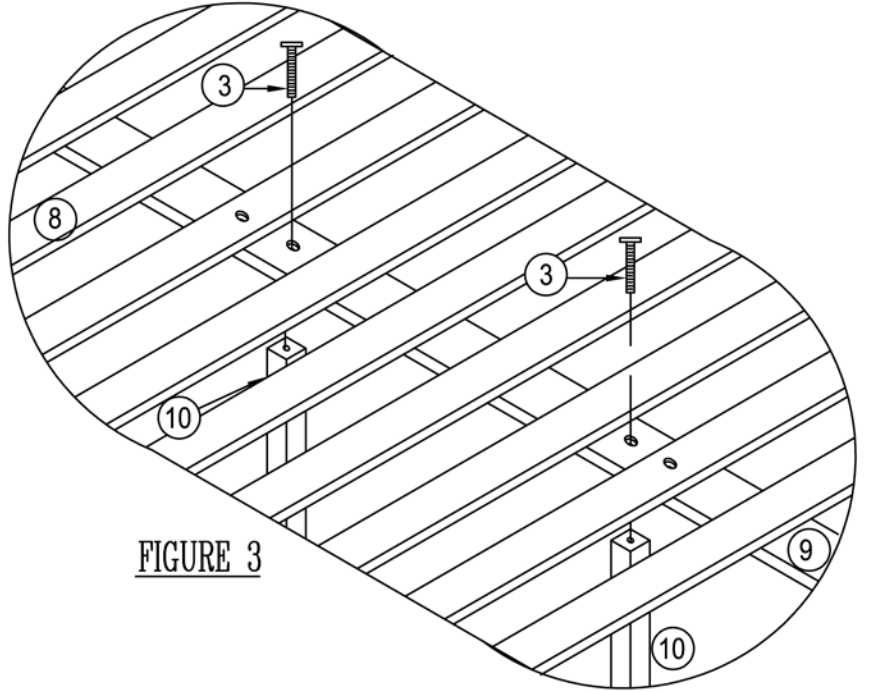


FIGURE 3

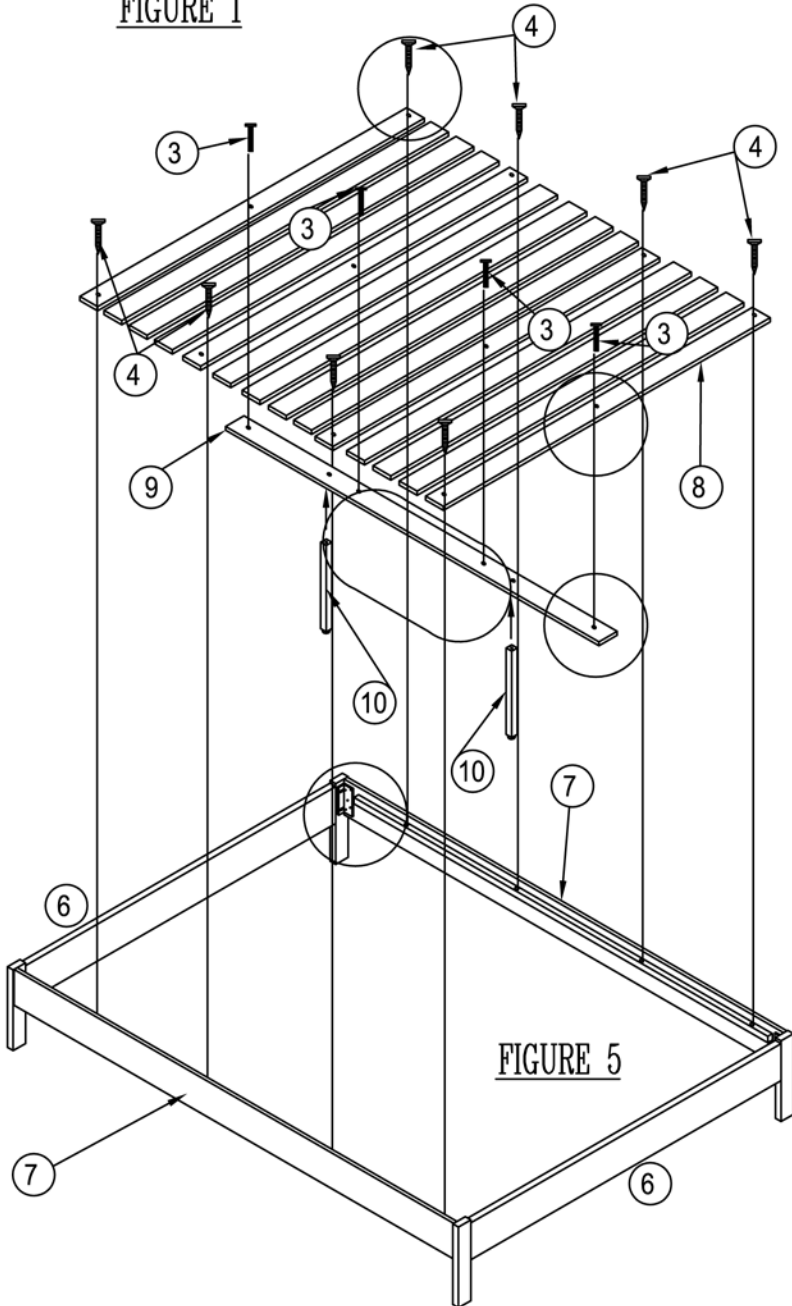


FIGURE 5

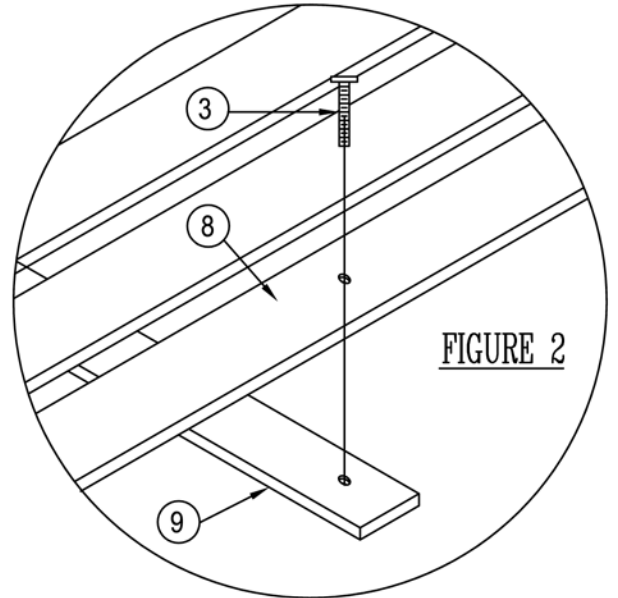


FIGURE 2

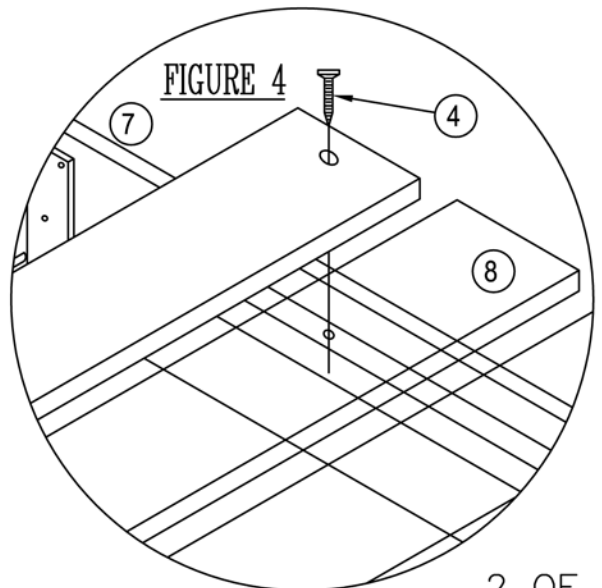


FIGURE 4