

Princess Toddler Cot

Assembly Instructions

Failure to follow these warnings and the assembly instructions could result in serious injury or death from entrapment or strangulation.

DO NOT place bed near windows where cords from blinds or drapes may strangle child.

The mattress intended for use on the bed shall be a full-size crib mattress having minimum dimensions of 51.625" (1310mm) in length and 27.25" (690mm) in width and 4" (100mm) in thickness.

DO NOT USE FOR INFANTS. The toddler bed is intended for a child over 15 months old and less than 50 lbs. (22.7kg)

Item # 76121

HARDWARE

A. Pink Cross Dowel Bolt x 18 pcs

(2 5/8in, 65mm)

B. Pink Cross Dowel Bolt x 2 pcs

(2 3/16in, 55mm)

C. Hex Screw x 8 pcs

(1 1/4in, 33mm)

D. Cross Dowel Nut x 18 pcs

E. Nylon Lock Nut x 10 pcs

F. Pink Cross Dowel Bolt x 8 pcs

(1 3/8in, 35mm)

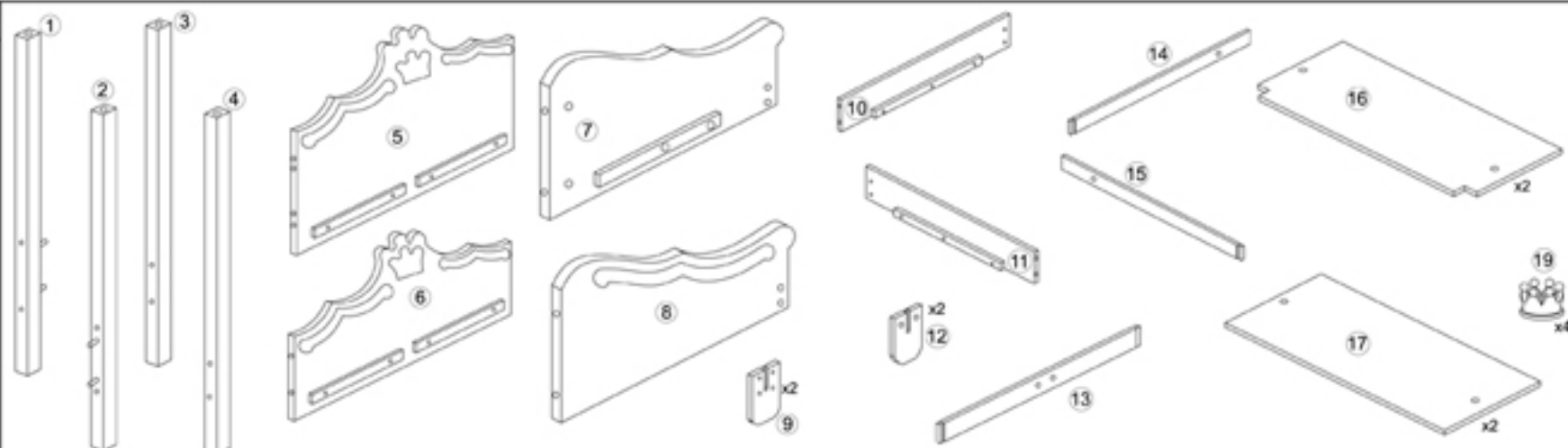
G. Washer x 10 pcs

Wrench x 1 pc

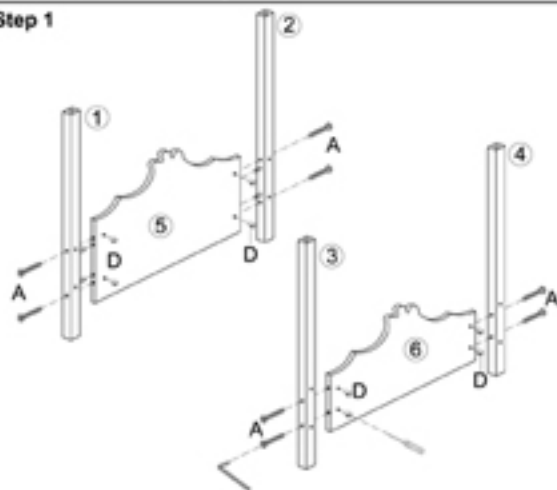
Allen Wrench x 1 pc

The following tool is required for assembly:

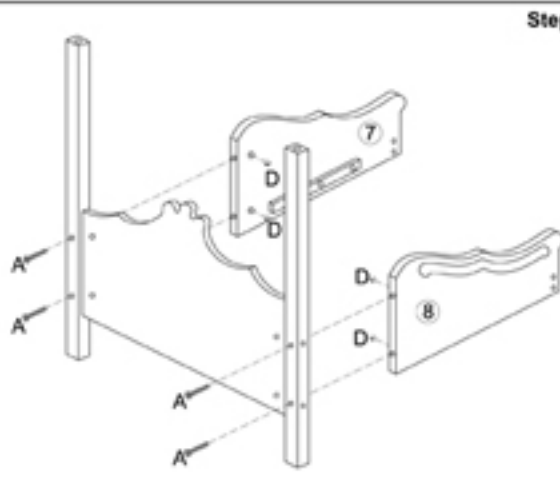
Flathead screwdriver



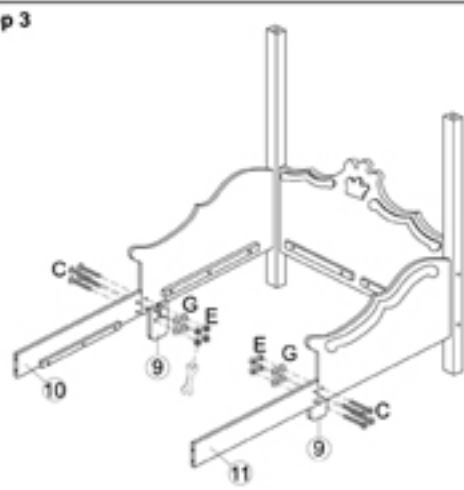
Step 1



Step 2



Step 3



CAUTION: Adult assembly required. Hardware contains small screws with sharp points. Keep unassembled parts out of the reach of small children.

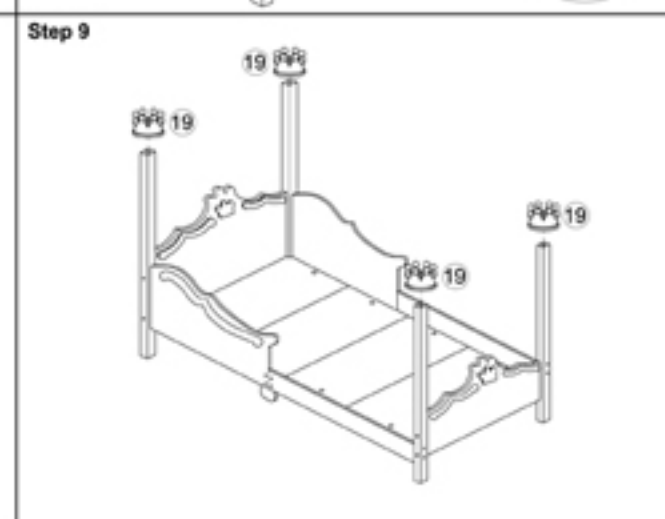
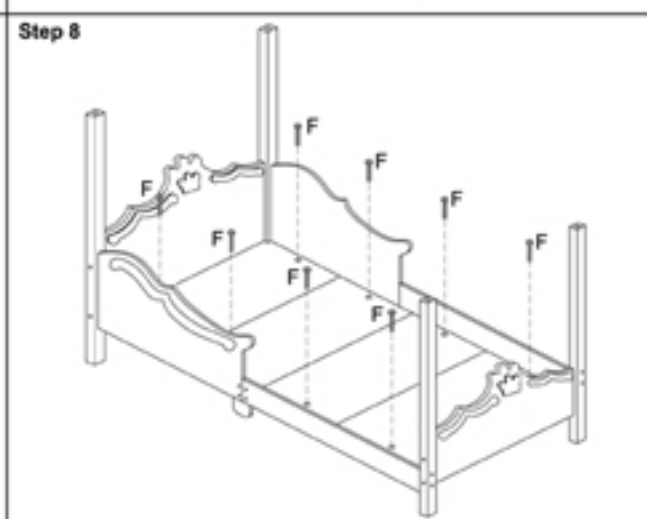
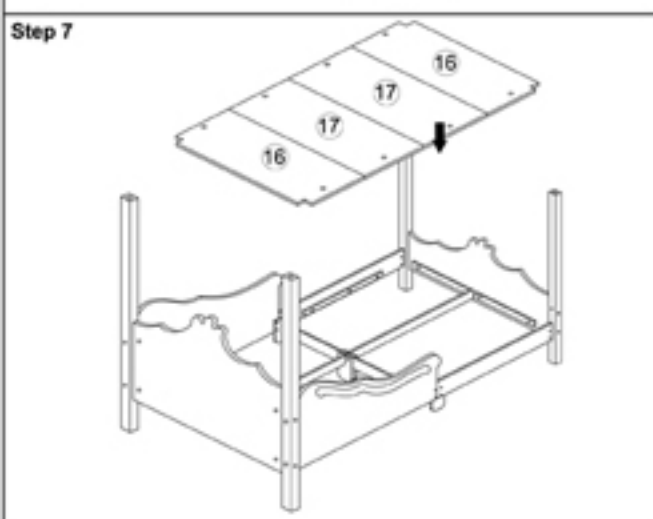
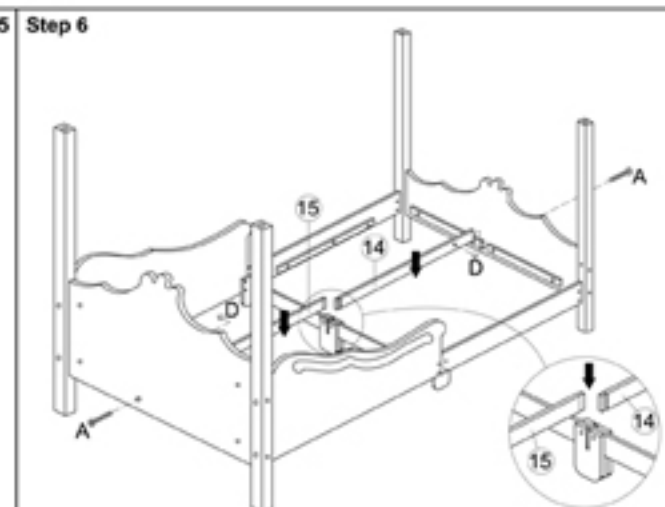
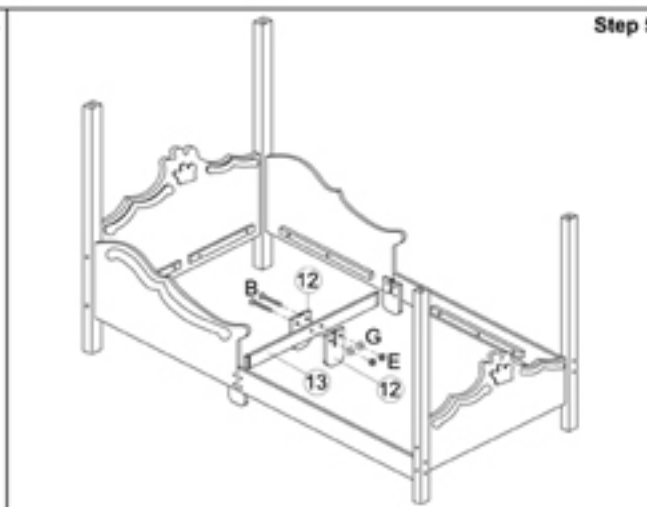
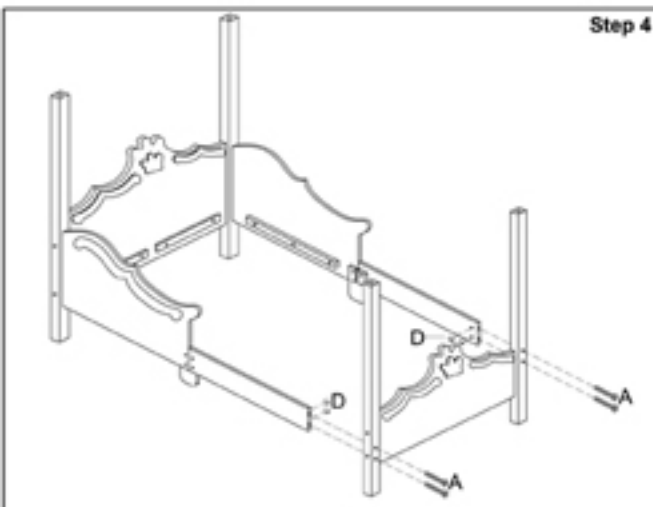
USE AND MAINTENANCE:
-Use on level surfaces only
-Please check assembly at regular intervals, and periodically tighten hardware if necessary. If maintenance is not carried out the product could overturn or fall.

WARNING: CHOKING HAZARD
Unassembled parts may be a choking hazard to children 3 years and younger.

Princess Toddler Cot

Assembly Instructions

Item # 76121



CAUTION: Adult assembly required. Hardware contains small screws with sharp points. Keep unassembled parts out of the reach of small children.

USE AND MAINTENANCE:
-Use on level surfaces only
-Please check assembly at regular intervals, and periodically tighten hardware if necessary. If maintenance is not carried out the product could overturn or fall.

WARNING: CHOKING HAZARD
Unassembled parts may be a choking hazard to children 3 years and younger.

IMPORTANT INFORMATION - PLEASE READ FIRST

ALL OF OUR WOODEN ITEMS ARE HANDCRAFTED, HAND ASSEMBLED, AND HAND PAINTED. EACH ONE IS UNIQUE. SLIGHT IMPERFECTIONS MAY OCCUR AND ARE NOT MANUFACTURING DEFECTS. EACH ITEM HAS BEEN PAINTED WITH A VERY DURABLE PAINT THAT IS BOTH LEAD AND CHROMATE FREE AND SAFE FOR CHILDREN. HOWEVER, IT WILL NOT WITHSTAND ABNORMAL ABUSE AND WITH IMPROPER USE IT COULD CHIP. TOUCH-UP PAINTS ARE AVAILABLE FOR A NOMINAL CHARGE IF NEEDED. PLEASE CONTACT US DIRECTLY AND WE WILL FORWARD YOU THE NECESSARY COLOR.

PLEASE NOTE THAT WE DO NOT WARRANTY AGAINST THE USE OF PERMANENT MARKERS, NON-WATER-BASED PAINTS, CRAYONS, OR WASHABLE MARKERS. SOME OF THESE ITEMS CONTAIN PERMANENT COLOR DYES THAT COULD DAMAGE THE SURFACE.

CLEANING INSTRUCTIONS

CLEAN THE SURFACE USING A SLIGHTLY DAMP CLOTH AND MILD DISH WASHING LIQUID IF NECESSARY. DO NOT USE ANY CLEANING PRODUCT CONTAINING ALCOHOL OR AMMONIA. THESE WILL DULL THE SHINY SURFACE OF THE PRODUCT. FURNITURE POLISH WILL ALSO WORK TO CLEAN AND DUST OFF THE SURFACE.

WE RECOMMEND THAT YOU TEST ALL CLEANING MATERIALS ON THE UNDERSIDE OF ANY SURFACE THAT WOULD NOT BE SEEN DURING NORMAL USE OF THE PRODUCT. IF YOU HAVE QUESTIONS REGARDING THE MAINTENANCE OF THIS PRODUCT PLEASE FEEL FREE TO CALL US.