

Nantucket Toddler Bed

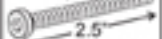

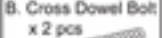

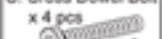
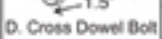



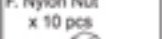









Assembly Instructions

Failure to follow these warnings and the assembly instructions could result in serious injury or death from entrapment or strangulation.

DO NOT place bed near windows where cords from blinds or drapes may strangle child.

The mattress intended for use on the bed shall be a full-size crib mattress having minimum dimensions of 51.625" (1310mm) in length and 27.25" (690mm) in width and 4" (100mm) in thickness.

DO NOT USE FOR INFANTS. The toddler bed is intended for a child over 15 months old and less than 50 lbs. (22.7kg)

HARDWARE	PARTS LIST										
A. Cross Dowel Bolt x 10 pcs 											
B. Cross Dowel Bolt x 2 pcs 											
C. Cross Dowel Bolt x 4 pcs 											
D. Cross Dowel Bolt x 4 pcs 											
E. Cross Dowel Nut x 10 pcs 											
F. Nylon Nut x 10 pcs 											
G. Washer x 10 pcs 											
Allen Wrench x 1 pc 											
Wrench x 1 pc 											
The following tool is required for assembly: 											
STEP 1			STEP 2			STEP 3			STEP 4		
STEP 5			STEP 6			STEP 7			STEP 8		

CAUTION: Adult assembly required.
Hardware contains small screws with
sharp points. Keep unassembled parts
out of the reach of small children.

ITEM # 86621

IMPORTANT INFORMATION-PLEASE READ FIRST

ALL OF OUR WOODEN ITEMS ARE HANDCRAFTED, HAND ASSEMBLED, AND HAND PAINTED. EACH ONE IS UNIQUE. SLIGHT IMPERFECTIONS MAY OCCUR AND ARE NOT MANUFACTURING DEFECTS. EACH ITEM HAS BEEN PAINTED WITH A VERY DURABLE PAINT THAT IS BOTH LEAD AND CHROMATE FREE AND SAFE FOR CHILDREN.

PLEASE NOTE THAT WE DO NOT WARRANTY AGAINST THE USE OF PERMANENT MARKERS, NON-WATER-BASED PAINTS, CRAYONS, OR WASHABLE MARKERS. SOME OF THESE ITEMS CONTAIN PERMANENT COLOR DYES THAT COULD DAMAGE THE SURFACE

CLEANING INSTRUCTIONS

CLEAN THE SURFACE USING A SLIGHTLY DAMP CLOTH AND MILD DISHWASHING LIQUID IF NECESSARY. DO NOT USE ANY CLEANING PRODUCT CONTAINING ALCOHOL OR AMMONIA. THESE WILL DULL THE SHINY SURFACE OF THE PRODUCT. FURNITURE POLISH WILL ALSO WORK TO CLEAN AND DUST OFF THE SURFACE.

WE RECOMMEND THAT YOU TEST ALL CLEANING MATERIALS ON THE UNDERSIDE OF ANY SURFACE THAT WOULD NOT BE SEEN DURING NORMAL USE OF THE PRODUCT. IF YOU HAVE QUESTIONS REGARDING THE MAINTENANCE OF THIS PRODUCT PLEASE FEEL FREE TO CALL US.